

# Introduction: TI Precision Labs

TI Precision Labs – Motor Drivers

Presented and prepared by Matt Hein

# What are the TI Precision Labs?

A series of training videos focusing on analog signal chain products

- Comprehensive
- Sequenced like a college curriculum
- New courses added over time

## Introduction to TI Precision Labs

Presented by Ian Williams

Prepared by Ian Williams, Art Kay, and Ying Zhou

 TEXAS INSTRUMENTS

## Stability – 1

TIPL 1331

TI Precision Labs – Op Amps

Presented by Collin Wells

Prepared by Collin Wells, Art Kay, Ian Williams, and Tim Green

Prerequisites: Op Amp Bandwidth 1 – 3  
(TIPL1221 – TIPL1223)

 TEXAS INSTRUMENTS

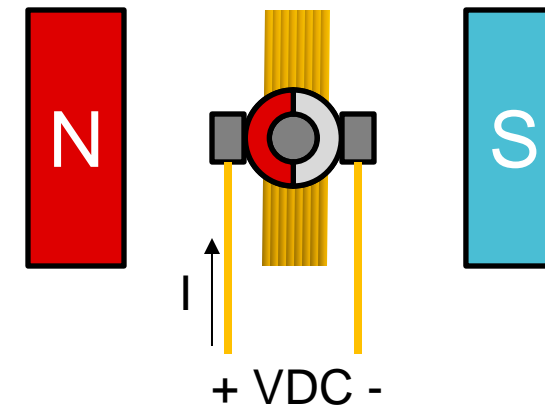
# Which topics are covered?

Motor types, control methods, and drive circuits

- Brushed-DC motor
- Stepper motor
- Brushless-DC motor

General motor driver design and technologies

- Practical system design
- Motor driver features



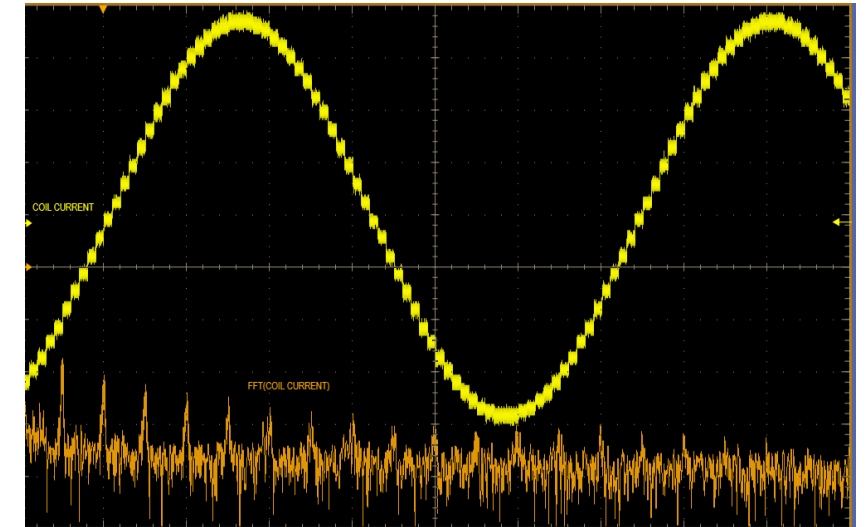
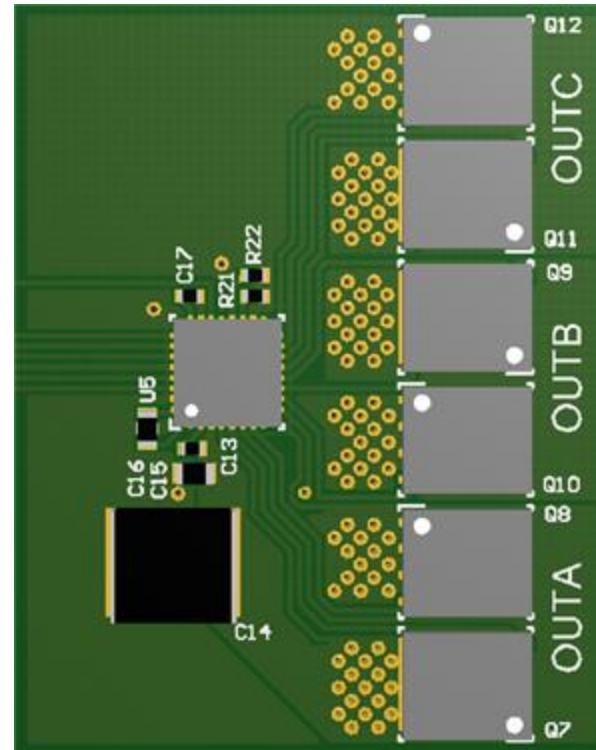
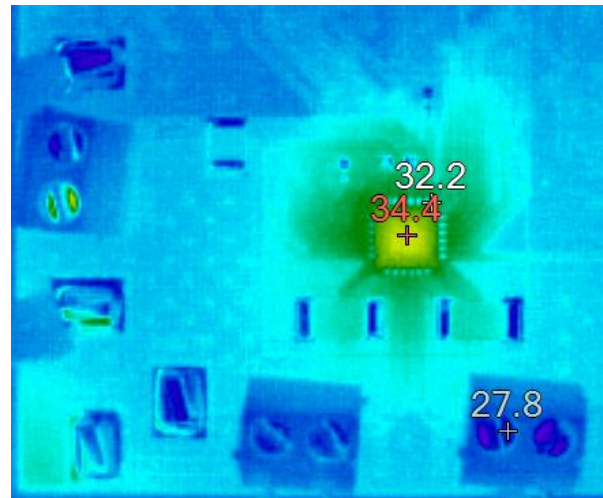
# Who are these labs for?

Engineering students, new and junior engineers

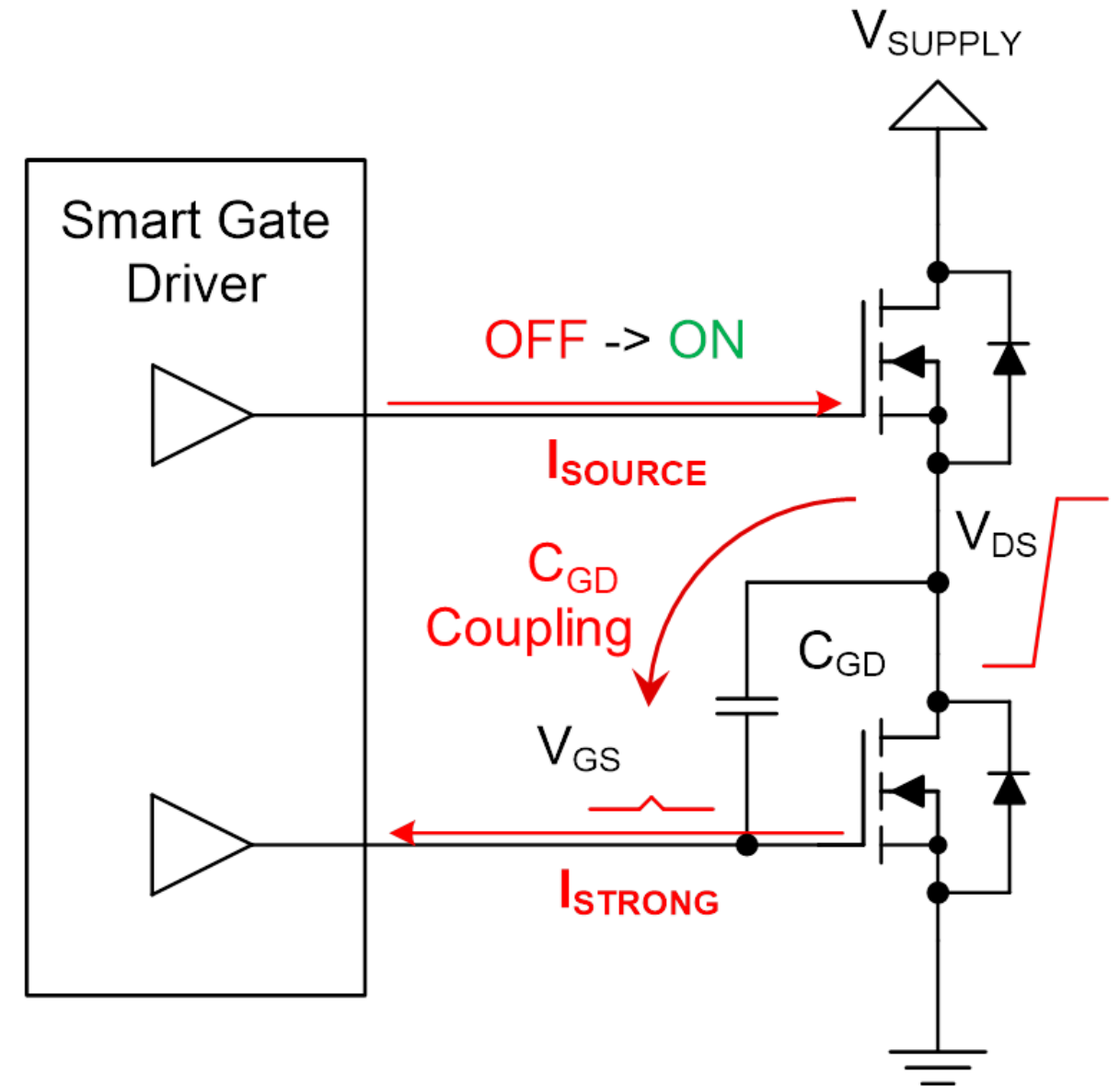
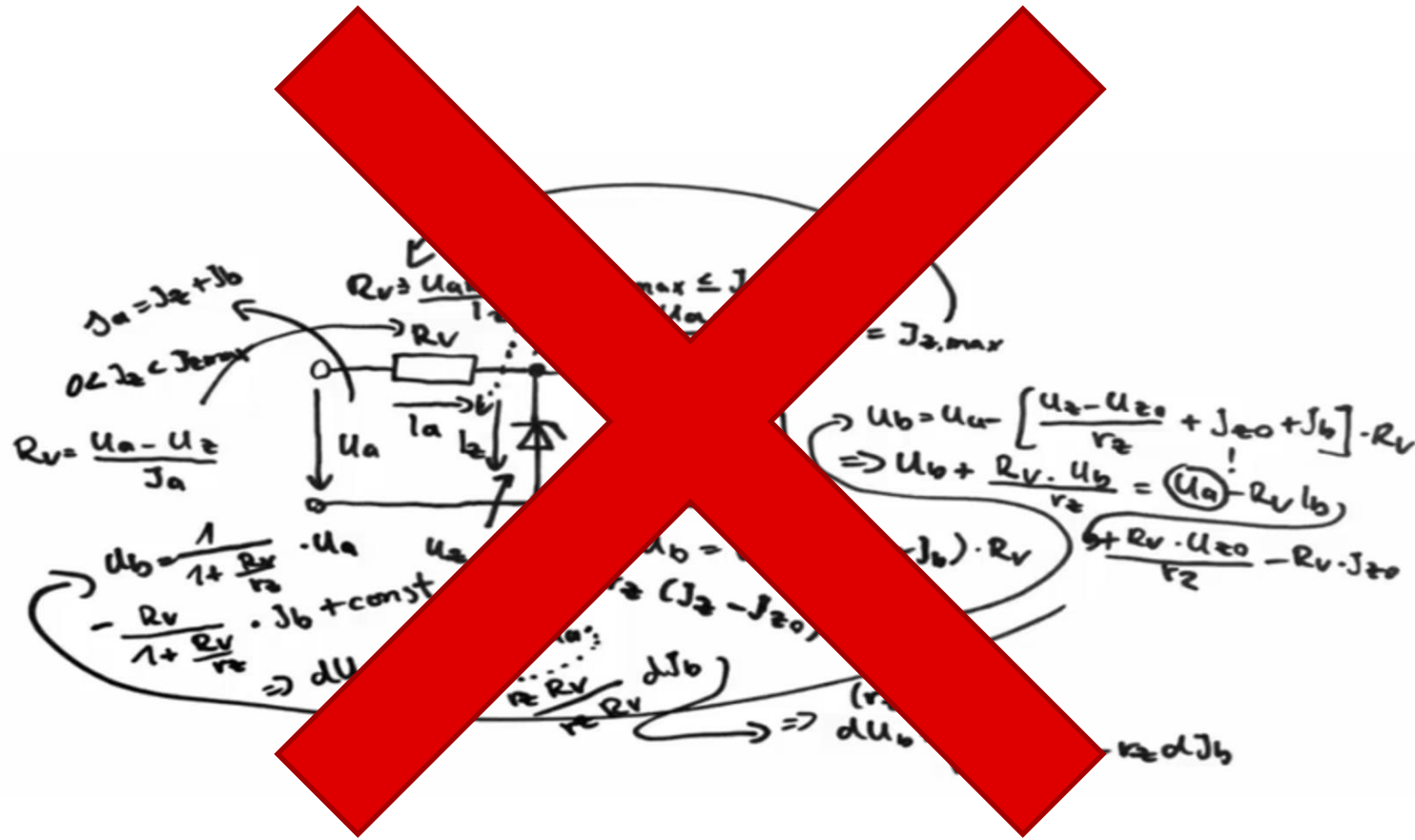
- Gain some topical knowledge
- Quick and structured way to learn

Experienced engineers

- Refresh knowledge
- Diving deeper



# What makes these labs unique?



**To find more motor driver technical resources and search products, visit [ti.com/motordrivers](https://www.ti.com/motordrivers)**